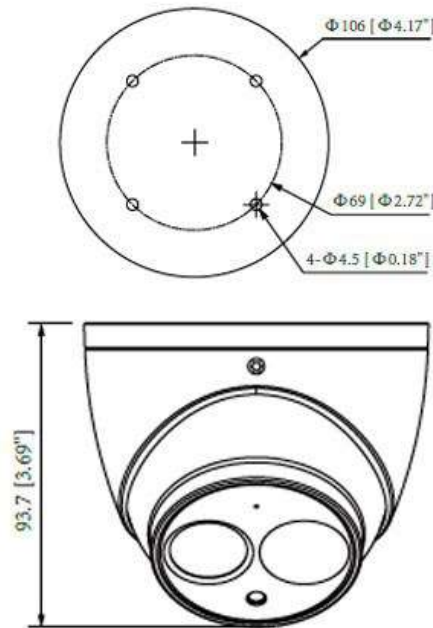


CP-USC-DA24R5C

2.4MP Full HD Cosmic Array Dome Camera - 50Mtr.

COSMIC
HD CAMERA



Main Features

- 1/2.7" 2.4MP CMOS Image Sensor
- Max 30fps@2.4MP
- DWDR, Day/Night (ICR), 2D-DNR,AWB, AGC, BLC, HLC
- 3.6mm fixed lens (2.8mm, 6mm optional)
- Array Range of 50 Mtrs, Built-in Mic, IP67
- OSD Menu, control over coaxial cable, 2D-DNR
- HD, SD and Two Other Analog format output switchable



CP- USC-DA24R5C

2.4MP Full HD Cosmic Array Dome Camera - 50Mtr.

COSMIC
HD CAMERA

Feature

Image Sensor
Minimum Illumination
Shutter Speed
White Balance
Gain Control (AGC)
Lens
Back Light Compensation
S/N Ratio
Angle of View
Video Streaming
Video Output
ICR
Audio Input
OSD
IR
Operating Temperature
Power Source
Power Consumption
Weatherproof Standard
Casing
Dimension
Weight

Specification

1/2.7" 2.4 MP PS CMOS Image Sensor
0.02Lux/F1.85, 30IRE, 0Lux IR on
PAL: 1/25~1/100000s , NTSC: 1/30~1/100000s
Auto/Manual
Auto/Manual
3.6mm (2.8mm, 6mm Optional)
BLC/ HLC/ DWDR
More than 65dB
H: 87.5° (103°, 54.7°)
25/30fps@2.4MP, 25/30/50/60fps@720P
1-channel BNC high definition video output/ CVBS video output (Can switch)
Auto (ICR) / Manual
Built-in Mic
Multi-language
Array Range of 50 Mtr.
-40°C~+60°C (-40°F ~ +140°F) , Less than 95%RH
12V DC ±30%
Max 3.6W (12V DC, IR on)
IP67
Aluminium
Φ106mm x 93.7mm
0.44kg