

DH-IPC-HDBW1120E-W

1.3MP IR Mini-Dome Wi-Fi Network Camera



- 1/3" 1.3Megapixel progressive CMOS
- H.264 & MJPEG dual-stream encoding
- 25/30fps@1.3M(1280x960)
- DWDR, Day/Night(ICR), 3DNR, AWB, AGC, BLC
- Wi-Fi support
- 2.8 mm fixed lens (3.6 mm optional)
- Max IR LEDs Length 30m
- IP67, IK10



System Overview

The IR Megapixel Fixed MiniDome camera delivers 1.3MP resolution with a choice of 2.8mm or 3.6mm wide angle lens options. The camera's elegant blend of aesthetics combined with a range of easy mounting solutions provides an excellent choice for a variety of small to mid-size applications at an affordable price.

Functions

Lechange

Cloud service and Lechange app allows you monitor what's happening at home anytime and anywhere. Alarm notice is pushed to your app in real time, so you'll not miss anything important. And you can record your daily or motion videos on cloud storage along with local storage.

True Day/Night

A day/night mechanical IR cut filter makes this camera ideal for applications with fluctuating lighting conditions, delivering color images during the day and automatically switching to monochrome as the scene darkens

Smart IR

With IR illumination, detailed images can be captured in low light or total darkness. The camera's Smart IR technology adjusts to the intensity of camera's infrared LEDs to compensate for the distance of an object. Smart IR technology prevents IR LEDs from whiting out images as they come closer to the camera. The camera's integrated infrared illumination provides high performance in extreme low-light environments up to 30m (98ft).

Image flip

Capturing unnecessary data such as surrounding hallway walls can increase storage requirements without any added value. The image flip feature allows the camera's image to be rotated in 90° increments for better video optimization.

Environmental

With a temperature range of -10 °C to +50 °C (14°F to +122 °F), the camera is designed for extreme temperature environments. The camera complies to an IK10 impact rating making it capable of withstanding the equivalent of 55 kg (120 lbs) of force. Subjected and certified to rigorous dust and water immersion tests, the IP67 rating makes it suitable for demanding outdoor applications. For environments with rain, sleet, snow and fog, an integrated wiper provides users with clear visibility at all times.

Protection

Supporting ±10% input voltage tolerance, this camera suits even the most unstable conditions for outdoor applications. Its 6KV lightning rating provides protection against the camera and its structure from the effects of lightning.

Technical Specification

Camera

Image Sensor	1/3" 1.3Megapixel progressive CMOS
Effective Pixels	1280(H)x960(V)
RAM/ROM	256MB/16MB
Scanning System	Progressive
Minimum Illumination	0.5Lux/F2.5(Color), 0Lux/F2.5(IR on)
S/N Ratio	More than 50dB
IR Distance	Distance up to 30m(98ft)
IR On/Off Control	Auto/ Manual
IR LEDs	24

Lens

Lens Type	Fixed
Mount Type	Board-in
Focal Length	2.8 mm (3.6 mm optional)
Max. Aperture	F2.5/F2.5
Angle of View	H:92°/72°, V:66°/53°
Focus Control	Fixed
Close Focus Distance	N/A

PTZ

Pan/Tilt Range	Pan:0° ~355° ;Tilt:0° ~55° ;Rotation:0° ~355°
----------------	---

Video

Compression	H.264/H.264B/H.264H/MJPEG
Streaming Capability	2 Streams
Resolution	1.3M(1280x960)/720P(1280x720)/VGA(640x480)/QVGA(320x240)
Frame Rate	1.3M (1 ~ 25/30fps)s VGA(1 ~ 25/30fps)
Bit Rate Control	CBR/VBR
Bit Rate	H264:32K ~ 10240Kbps
Day/Night	Auto(ICR) / Color / B/W
BLC Mode	BLC / HLC / DWDR

White Balance	Auto/Natural/Street Lamp/Outdoor/Manual
Gain Control	Auto/Manual
Noise Reduction	3D DNR
Motion Detection	Off / On (4 Zone, Rectangle)
Electronic Image	Support
Smart IR	Support
Digital Zoom	16x
Flip	0°/90°/180°/270°
Mirror	Off / On
Privacy Masking	Off / On (4 Area, Rectangle)

Audio

Compression	N/A
-------------	-----

Network

Ethernet	RJ-45 (10/100Base-T)
Wi-Fi	Wi-Fi(IEEE802.11b/g/n), 50m(open field)
Protocol	HTTP;HTTPS;TCP;ARP;RTSP;RTP;UDP;SMTP;FTP;DHCP;DNS;DDNS;IPv4/v6;QoS;UPnP;NTP;Bonjour;Multicast;IGMP;IGMP;
Interoperability	PSIA, CGI
Streaming Method	Unicast / Multicast
Max. User Access	10 Users/20 Users
Edge Storage	NAS(Network Attached Storage),Local PC for instant recording, Micro SD Card(up to 128GB)
Web Viewer	IE, Chrome, Firefox, Safari
Management Software	Smart PSS, DSS,Lechange
Smart Phone	iOS,Android

Certifications

Certifications	CE (EN 60950:2000) UL:UL60950-1 FCC: FCC Part 15 Subpart B
----------------	--

Interface

Video Interface	N/A
Audio Interface	N/A
RS485	N/A
Alarm	N/A

Electrical

Power Supply	DC12V
Power Consumption	<4.6W

Environmental

Operating Conditions	-10° C ~ +50° C (14° F ~ +122° F) / Less than 95% RH
Storage Conditions	-10° C ~ +50° C (14° F ~ +122° F) / Less than 95% RH
Ingress Protection	IP67
Vandal Resistance	IK10

Construction

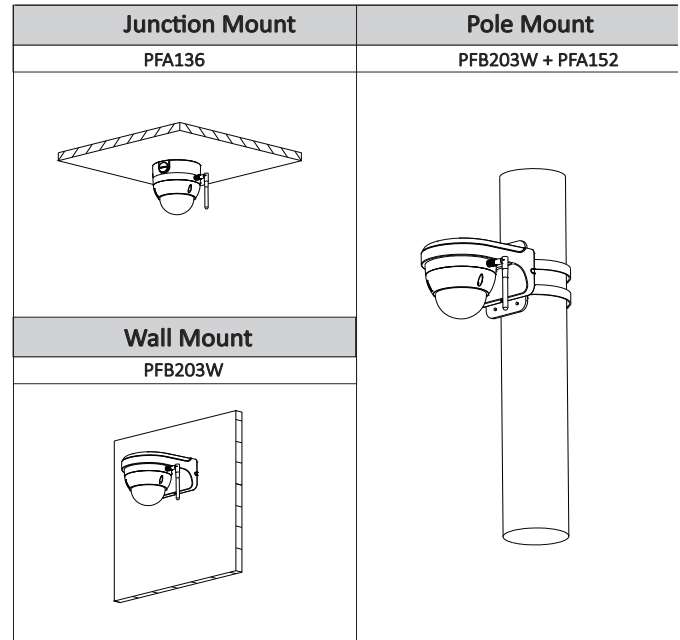
Casing	Metal
Dimensions	Φ109.9mm × 81mm (4.33" × 3.19")
Net Weight	0.34Kg (0.75lb)
Gross Weight	0.47Kg (1.04lb)

Ordering Information

Type	Part Number	Description
1.3MP camera	DH-IPC-HDBW1120EP-W-0280B	1.3MP IR Mini-Dome Wi-Fi Network Camera, 2.8mm, PAL
	DH-IPC-HDBW1120EN-W-0280B	1.3MP IR Mini-Dome Wi-Fi Network Camera, 2.8mm, NTSC
	IPC-HDBW1120EP-W-0280B	1.3MP IR Mini-Dome Wi-Fi Network Camera, 2.8mm, PAL
	IPC-HDBW1120EN-W-0280B	1.3MP IR Mini-Dome Wi-Fi Network Camera, 2.8mm, NTSC
	DH-IPC-HDBW1120EP-W-0360B	1.3MP IR Mini-Dome Wi-Fi Network Camera, 3.6mm, PAL
	DH-IPC-HDBW1120EN-W-0360B	1.3MP IR Mini-Dome Wi-Fi Network Camera, 3.6mm, NTSC
	IPC-HDBW1120EP-W-0360B	1.3MP IR Mini-Dome Wi-Fi Network Camera, 3.6mm, PAL
	IPC-HDBW1120EN-W-0360B	1.3MP IR Mini-Dome Wi-Fi Network Camera, 3.6mm, NTSC
Accessories (optional)	PFA136	Junction box
	PFB203W	Wall mount
	PFA152	Pole mount

Accessories

Optional:



Dimensions (mm/inch)

